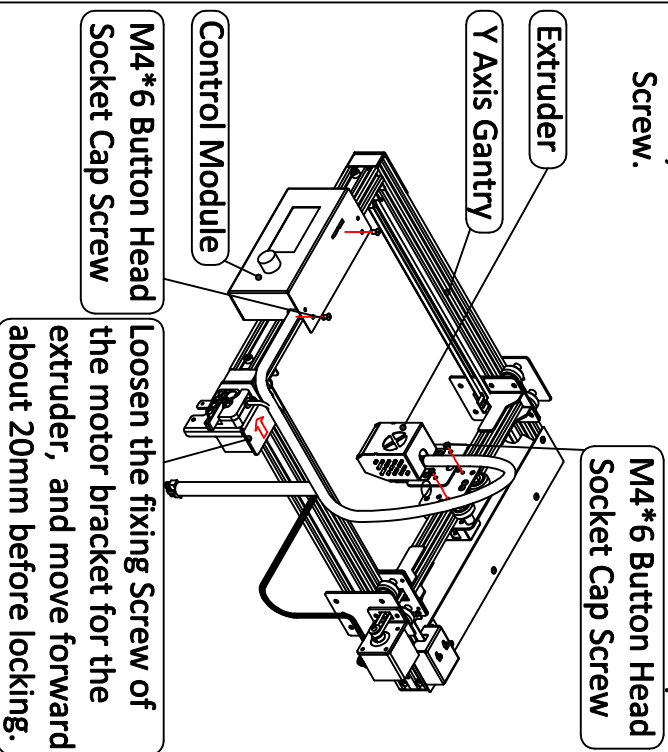


MA21 Installation Instructions

(1) Fix the extruder and control module on the Y Gantry with M4*6 Button Head Socket Cap Screw.



M4*6 Button Head Socket Cap Screw

Extruder

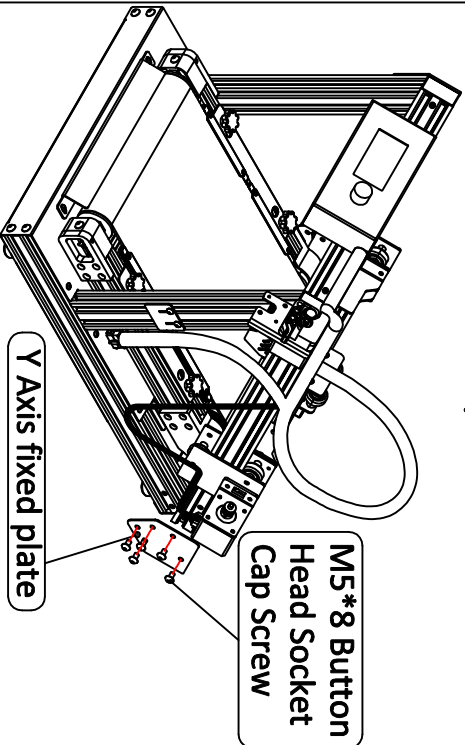
Y Axis Gantry

Control Module

M4*6 Button Head Socket Cap Screw

Loosen the fixing Screw of the motor bracket for the extruder, and move forward about 20mm before locking.

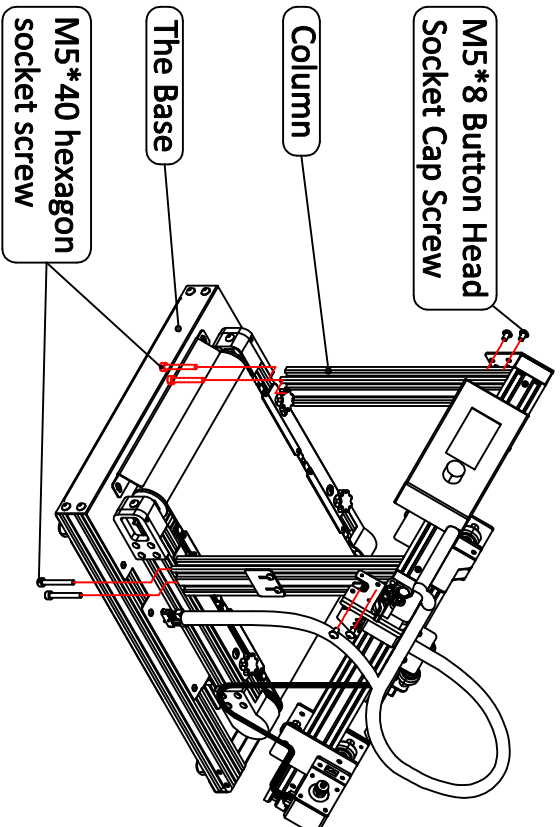
(3) Insert the positioning pin on the Y axis fixed aluminum profile, and then fix it with M5*8 Button Head Socket Cap Screw.



M5*8 Button Head Socket Cap Screw

Y Axis fixed plate

(2) Fix Y axis gantry and two columns with M5*8 Button Head Socket Cap Screw, and then using the M5*40 hexagon socket screw through the screw holes on the base from the bottom to secure the columns.



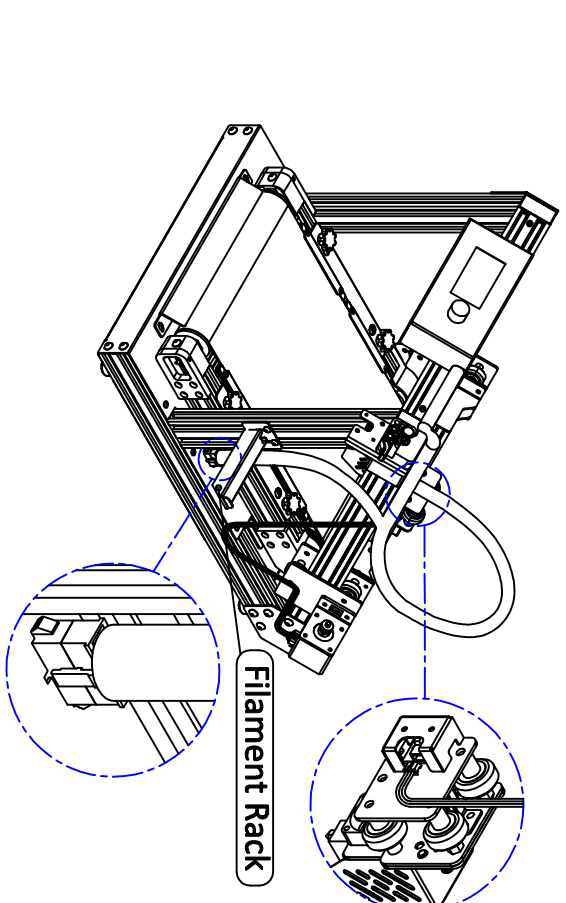
M5*8 Button Head Socket Cap Screw

Column

The Base

M5*40 hexagon socket screw

(4) Connect the cables on the base.



Filament Rack

Accessories list	QTY/PCS
Y Axis Gantry	1
The Base	1
Column	2
Y Axis fixed plate	2
Filament Rack	1
M4*6 Button Head Socket Cap Screw	4
M5*8 Button Head Socket Cap Screw	14
M5*40 Hexagon socket screw	4